

20" Ice Maker Dual Water Input – 115V, 350W

ITEM: 48054 MODEL: IC-CN-0089ST

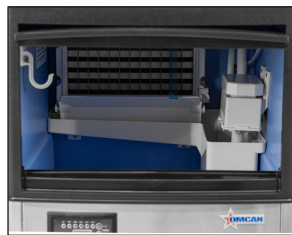


This innovative ice maker machine offers the convenience of two water input choices, providing versatility for your specific needs.

Whether you prefer using tap water or purified water, this machine allows you to select the option that works best for you. The dual water input feature sets this ice maker apart, making it a practical and user-friendly appliance for your home or business. Say goodbye to the inconvenience of constantly refilling ice trays and hello to a reliable supply of ice at your fingertips.

FEATURES:

- ✓ **Easy Installation**
The unit requires minimal tools and time to set up the machine. The ice machine's straightforward installation process requires only basic tools and a minimal amount of time.
- ✓ **Effective Ice Production Capabilities**
The machine ensures a steady supply of ice that can meet the demands of various business operations, from restaurants to cafes to office spaces.
- ✓ **User-friendly Control Panel**
The digital display simplifies the adjustment of power settings, ice thickness, cube size, and cleaning cycles, providing ease of operation for users at any skill level.
- ✓ **Easy Maintenance and Cleaning**
The ice machines are designed to be simple and hassle-free, helping users keep the unit in optimal working condition with minimal effort.
- ✓ **Adjustable Feet**
The appliance offers flexibility in adjusting the height and level to suit different environments, ensuring a perfect fit and stable operation wherever it is placed.



Telephone: 1-800-465-0234

Fax: (905) 607-0234

Email: sales@omcan.com

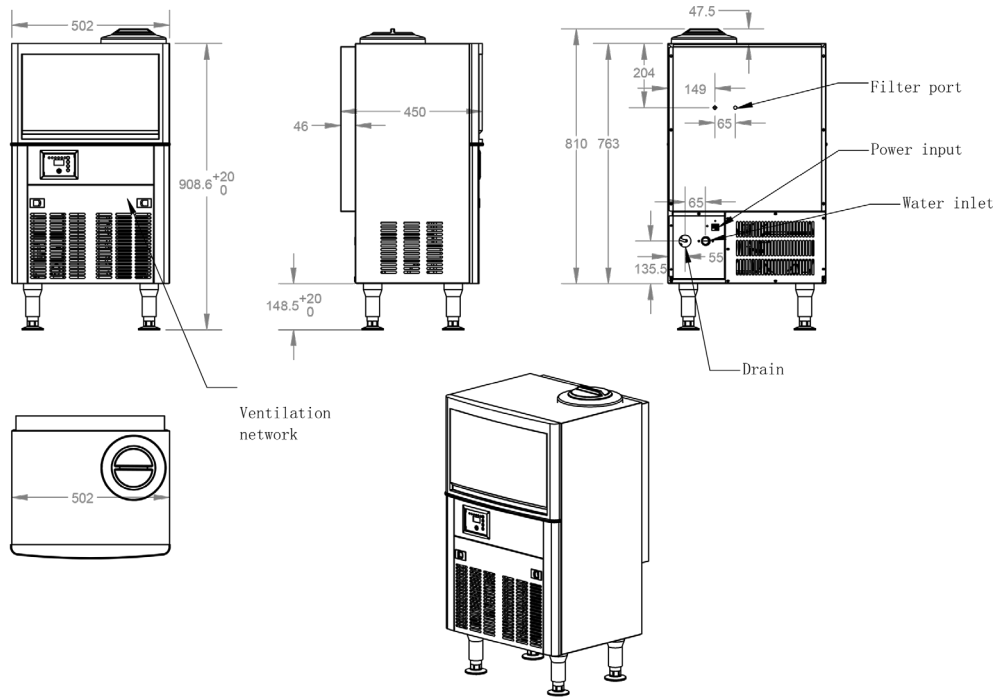
Website: www.omcan.com



Authorized Dealer



TECHNICAL DRAWING



TECHNICAL SPECIFICATION

Item	48054
Model	IC-CN-0089ST
Bin Capacity	33 lbs / 15 kg
Production Per Day	80 lbs / 36 kg
Ice Shape	cube
Max Ambient Temperature	5 – 40°C / 41 – 104°F
Condenser Unit	Air
Refrigerant	R290
Net Weight	79.4 lbs / 36 kg
Gross Weight	88.2 lbs / 40 kg
Net Dimensions	19.7" x 17.7" x 35.4" 500 x 450 x 900 mm
Gross Dimensions	22.8" x 20.9" x 32.9" 580 x 530 x 835 mm